

LINK 6 COBOT TOGETHER IN ROBOTICS

Link 6 is an industrial robot with collaborative capabilities, leveraging the latest technologies to support all industries that want to benefit from automation. Proudly made in Québec, Canada, Kinova's newest robot is backed up by more than 15 years in the business of providing robotics solutions.

BETTER USER EXPERIENCE AND FLEXIBILITY

- › Intuitive user interface with no-code, visual programming and faults management for quick onboarding
- › World-class customer service and access to integration resources for support
- › Superior hand-guiding capabilities for task teaching
- › Innovative multi-usage wrist for ease of use and increased efficiency, including a colored ring annunciator



INTERCONNECTIVITY LIKE NEVER BEFORE

- › Feed-through of power and data to the end effector for cable-management-less tool installation
- › Up to 4 A @ 24 V available to power your tools
- › Optional Vision module
- › Controller designed to be master of the robotic cell, with Safety and Industrial IOs, as well as Fieldbus communication support

A FOUNDATION YOU CAN BUILD ON

- › Short cycle times over large workspaces, with a maximum speed of 2.0 m/s and a full range of motion of +/- 360° on each joint
- › Built-in six-axis Force/Torque sensor
- › A compact controller with market-leading processing power and memory capacity
- › Containerized plug-in system for easy deployment of feature expansions
- › Compliant with ISO 10218-1:2011 & EU machinery directives

Count on Kinova for first-rate service and support, plus access to the resources of the Kinova Academy.

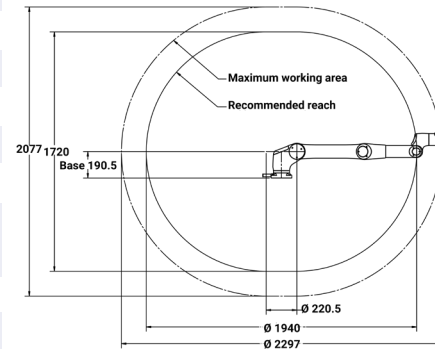
COMMON SUITABLE APPLICATIONS

- | | |
|-------------------------------------|-----------------------|
| › Machine tending | › Kitting |
| › Small parts assembly | › Packaging |
| › Quality control and assurance | › Welding |
| › Form, fit and function inspection | › Polishing / Sanding |

TECHNICAL SPECIFICATIONS

GENERAL

Degrees of freedom	6
Continuous payload (full-range, at 200 mm from wrist)	6.0 kg / 13.2 lbs
Maximum reach	1000 mm / 39.4 in
Max joint speeds	Joints 1-3: 180 °/s ; Joints 4-6: 300 °/s
Joint angle limits	+/- 360°
Max Cartesian speed (TCP Translation)	1.85 m/s
Power supply voltage and frequency	110-240 VAC, 50-60 Hz
Ambient operating temperature	0 °C to 40 °C / 32 °F to 104 °F
Arm weight (with 5 m cable)	23.45 kg / 51.7 lbs
Safety functions	Safety Functions (PLd Cat3) ISO 13849-1/-2:2015
Repeatability	Within 0.1 mm
IP Rating	IP54
Arm materials	Aluminum, ABS plastic
Installation orientation	All



INTERFACES

Controller interfaces	USB 3.0, Ethernet
Controller I/O	General purpose digital: 8 inputs, 8 outputs General purpose analog: 4 programmable inputs/outputs Configurable and certified redundant Safety IOs: 8 inputs, 8 outputs Industrial Ethernet: Modbus TCP/IP server for control and monitoring of robot
Wrist I/O (24 V supply)	8 programmable digital inputs/outputs 2 programmable analog inputs/outputs Electrical source providing up to 4 A
Wrist - Mechanical	Flange ISO 9409-1-50-4-M6

CONTROLLER

Processor	Intel® Core™ i7 processor ¹
Memory	RAM: 8 GB DDR4 — Storage: 128 GB SSD
Controller weight	17.6 kg / 38.8 lbs
Ingress Protection Rating	IP54

OPTIONAL

Vision module	Full featured depth camera and color sensor powered by Intel® RealSense™
---------------	--

Contact us to request a demo



KINOVA

kinovarobotics.com | info@kinovarobotics.com | +1 514 277-3777

© Kinova inc 2024. All rights reserved.

¹Intel, the Intel logo, and Intel Core are trademarks of Intel Corporation or its subsidiaries.