

# KINOVA

Achieve Extraordinary

KINOVA™ Gripper series

KG-2 KG-3

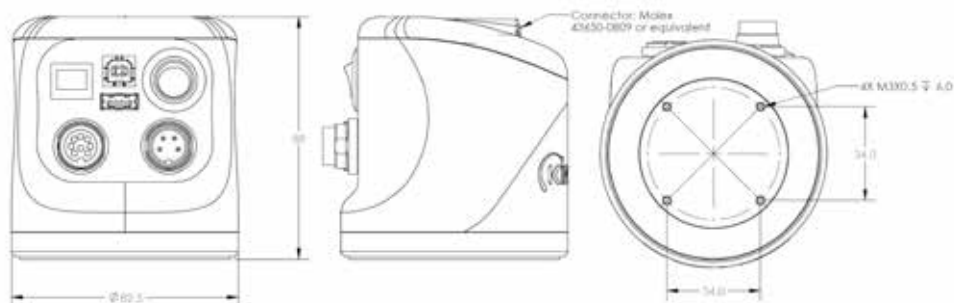
## Specifications



### SPECIFICATIONS

	BOTH	KG-2	KG-3
<b>Fingers quantity</b>		2	3
<b>Actuation system</b>	Under actuated		
<b>Actuators</b>	One per finger		
<b>Actuators sensors</b>	Current		
	Temperature		
	Rotational encoder		
<b>Opening</b> ( <i>fingertip</i> )	175 mm		
<b>Object diameter for cylindrical grip</b>	Minimum	55 mm	45 mm
	Maximum	100 mm	100 mm
<b>Object diameter for on-the-ground pinch</b>	8 mm min.		
<b>Total weight</b>		556 g	727 g
<b>Gripping force</b>		40 N	25 N
<b>Opening or closing travel time</b>	1.2 sec		
<b>Operating temperature</b>	-10 °C to 40 °C		

### CONTROLLER



<b>Ports</b>	Joystick	1 Mbps Canbus
	Power supply	18 to 29 VDC
	USB 2.0 (API)	12 Mbps
	Ethernet (API)	100 Mbps
<b>Control system frequency</b>	High level (API)	100 Hz
	Low level (API)	Up to 500 Hz
<b>CPU</b>		360 MHz
<b>SDK</b>	APIs	High and low level
	Compatibility	Windows, Linux Ubuntu & ROS
	Port	USB 2.0, Ethernet
	Programming languages	C++
<b>Control</b>		Force, cartesian & angular