



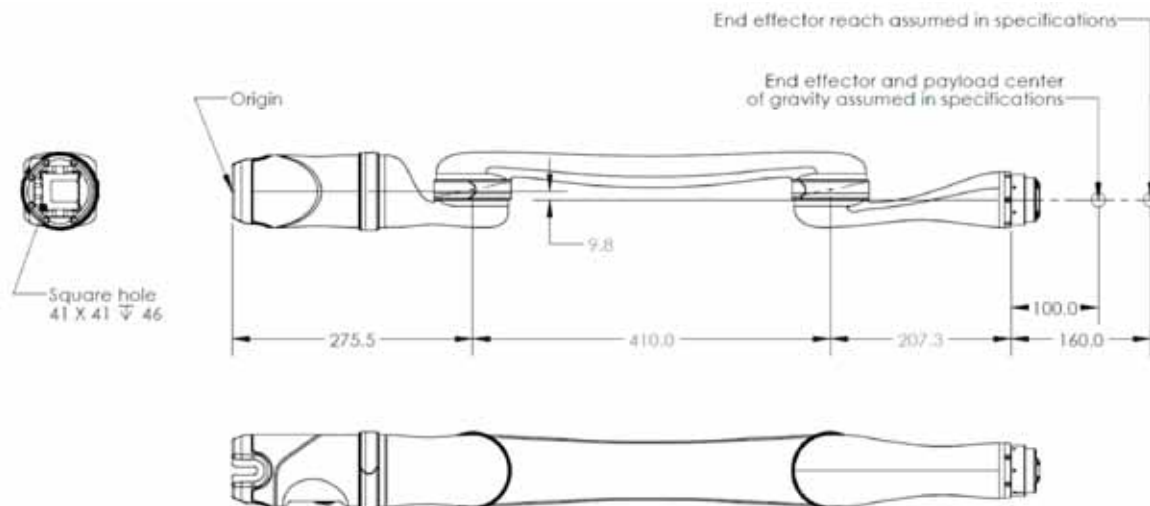
JACO²
4 DOF

Tech Specs

JACO²

4 DOF

Version 1.1 – April 2017



GENERAL

		NO GRIPPER	2 FINGERS (KG-2)	3 FINGERS (KG-3)
Total weight		3.6 kg	4.2 kg	4.4 kg
Payload capabilities	Mid-range continuous	4.4 kg	3.6 kg	3.4 kg
	Full-reach peak/temporary	3.5 kg	2.8 kg	2.6 kg
Materials	Links	Carbon fiber		
	Actuators	Aluminum		
Maximum reach		75 cm		
Joint range after start-up <i>(software limitation)</i>		±27.7 turns		
Maximum linear arm speed		20 cm/s		
Power supply voltage		18 to 29 VDC, 24 VDC nominal		
Peak power		100 W		
Average power	Operating mode	25 W		
	Standby mode	5 W		
Communication protocol		RS-485		
Communication cables		20 pins flat flex cable		
Expansion pins		2 <i>(on communication bus)</i>		
Water resistance		IPX2		
Operating temperature		-10 °C to 40 °C		

CONTROLLER

Ports	Joystick	1 Mbps Canbus
	Power supply	18 to 29 VDC, 24 VDC nominal
	USB 2.0 (API)	12 Mbps
	Ethernet (API)	100 Mbps
Control system frequency	High level (API)	100 Hz
	Low level (API)	500 Hz
CPU		360 MHz
SDK	APIs	High and low level
	Compatibility	Windows, Linux Ubuntu & ROS
	Port	USB 2.0
	Programming languages	C++
Control		Force, cartesian & angular

SPECIFICATIONS

Actuators #1, #2 & #3	K-75+
Actuator #4	K-58